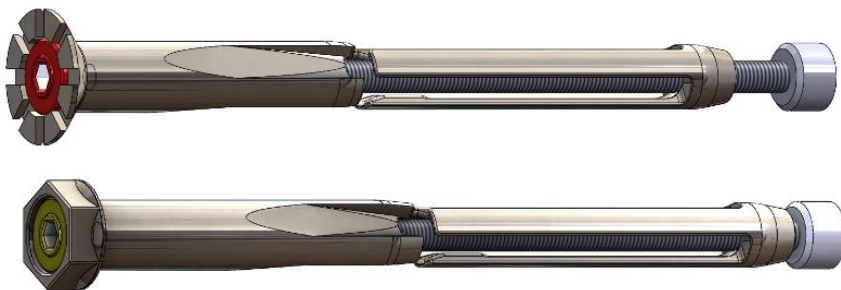
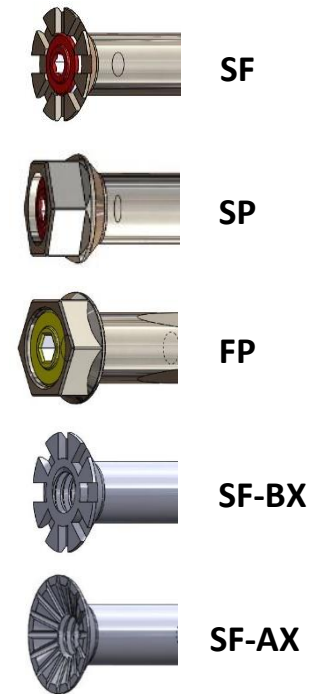


Part Code	A nominal mm (inch)	B mm (inch)	C mm (inch)	D min mm (inch)	Grip Range mm (inch) in 15mm (0.590) steps	Clamping Force N (lbf)	No of Cycles
0532-S1	3.96 (0.156)	Varies depending on grip range requested by customer.	3.50 (0.137) to 4.50 (0.177)	7.00 (0.275)	1mm (0.039) to 150mm (5.905)	890 (200) - 1,780 (400)	500
0632-S1	4.76 (0.188)			9.00 (0.354)	1mm (0.039) to 150mm (5.905)	1,112 (250) - 2,224 (500)	500
0832-S1	6.35 (0.250)			12.00 (0.472)	1mm (0.039) to 150mm (5.905)	1,334 (300) - 2,669 (600)	500
1032-S1	7.94 (0.313)			15.00 (0.590)	1mm (0.039) to 150mm (5.905)	1,779 (400) - 3,558 (800)	500
1232-S1	9.53 (0.375)			19.00 (0.748)	1mm (0.039) to 150mm (5.905)	1,779 (400) - 3,558 (800)	500
1432-S1	11.15 (0.438)			22.00 (0.866)	1mm (0.039) to 150mm (5.905)	1,779 (400) - 3,558 (800)	500
1632-S1	12.70 (0.500)			24.00 (0.945)	1mm (0.039) to 150mm (5.905)	1,779 (400) - 3,558 (800)	500
1832-S1	14.24 (0.563)			27.00 (1.063)	1mm (0.039) to 150mm (5.905)	2,224 (500) - 4,448 (1,000)	500
2032-S1	15.90 (0.625)			30.00 (1.181)	1mm (0.039) to 150mm (5.905)	2,224 (500) - 4,448 (1,000)	500
2432-S1	19.05 (0.750)			38.00 (1.496)	1mm (0.039) to 150mm (5.905)	2,669 (600) - 5,338 (1,200)	500
3232-S1	25.40 (1.000)			48.00 (1.889)	1mm (0.039) to 150mm (5.905)	2,669 (600) - 5,338 (1,200)	500



XX-0632A-XXX-XXX-DXS1

- Basic Part Number
- Grip Range
- Nominal Hole Diameter
- Head Configuration: SF -Countersunk Flush
SP -Countersunk Protruding
FP -Flat Protruding

Colour coding to customer specifications. Other loads, tolerances and diameters available to customer requirements

E-Mail: info@kwikbolt.com Web: www.kwikbolt.com Phone: +44 (0) 23 8220 5775