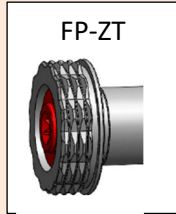
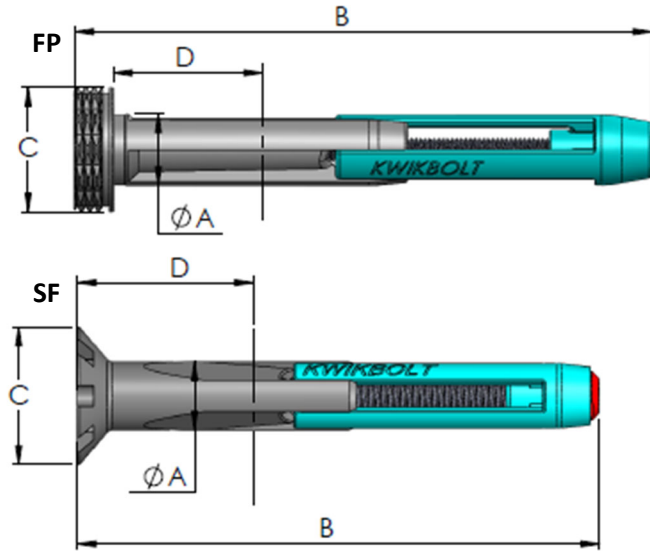
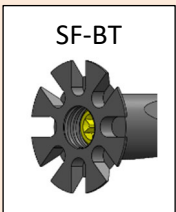
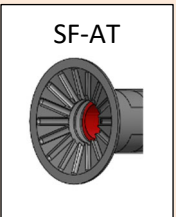


HEAD TYPES:

Protruding Heads:



Countersunk Heads:



XX-0632A-XXX-XXX-ATL8-MM **Kwikbolt Part Numbering**

Head type, Torx drive with free spin leg feature
 Grip Range
 Nominal Hole Diameter
 Head Configuration: SF-Countersunk Flush
 SP-Countersunk Protruding
 FP-Flat Protruding

MM-Colour coding to customer specifications.

Other loads, tolerances and diameters available to customer requirements

Part Code	A nominal mm (inch)	B mm (inch)	C min mm (inch)	D min* mm (inch)	Grip Range* mm (inch) in 10mm (0.394) steps	Clamping Force Range N (lbf)	No of Cycles
0532-L8	3.96 (0.156)	Varies depending on grip range requested by customer.	Varies depending on customer project.	5 (0.197)	1mm (0.039) to 50mm (1.969)	222 (50) - 1335 (300)	500
0632-L8	4.76 (0.188)			5 (0.197)	1mm (0.039) to 75mm (2.953)	222 (50) - 3,558 (800)	500
0832-L8	6.35 (0.250)			5 (0.197)	1mm (0.039) to 75mm (2.953)	222 (50) - 3,558 (800)	500
1032-L8	7.94 (0.313)			5 (0.197)	1mm (0.039) to 100mm (3.937)	222 (50) - 4,448 (1,000)	500
1232-L8	9.53 (0.375)			10 (0.394)	1mm (0.039) to 150mm (5.905)	222 (50) - 5,338 (1,200)	500
1432-L8	11.15 (0.438)			10 (0.394)	1mm (0.039) to 150mm (5.905)	222 (50) - 5,338 (1,200)	500
1632-L8	12.70 (0.500)			10 (0.394)	1mm (0.039) to 150mm (5.905)	445 (100) - 6,672 (1,500)	500
1832-L8	14.24 (0.563)			10 (0.394)	1mm (0.039) to 150mm (5.905)	445 (100) - 6,672 (1,500)	500
2032-L8	15.90 (0.625)			10 (0.394)	1mm (0.039) to 150mm (5.905)	445 (100) - 6,672 (1,500)	500
2432-L8	19.05 (0.750)			10 (0.394)	1mm (0.039) to 150mm (5.905)	445 (100) - 8,006 (1,800)	500
3232-L8	25.40 (1.000)			10 (0.394)	1mm (0.039) to 150mm (5.905)	445 (100) - 8,006 (1,800)	500

Head Types | FP = Flat Protruding | SP = Countersunk Protruding | SF = Countersunk Flush Grip Length Increments | 10mm (0.394")

* Varies depending on customer project.

E-mail: info@kwikbolt.com

web: www.kwikbolt.com

Phone: +44 (0) 23 8220 5775