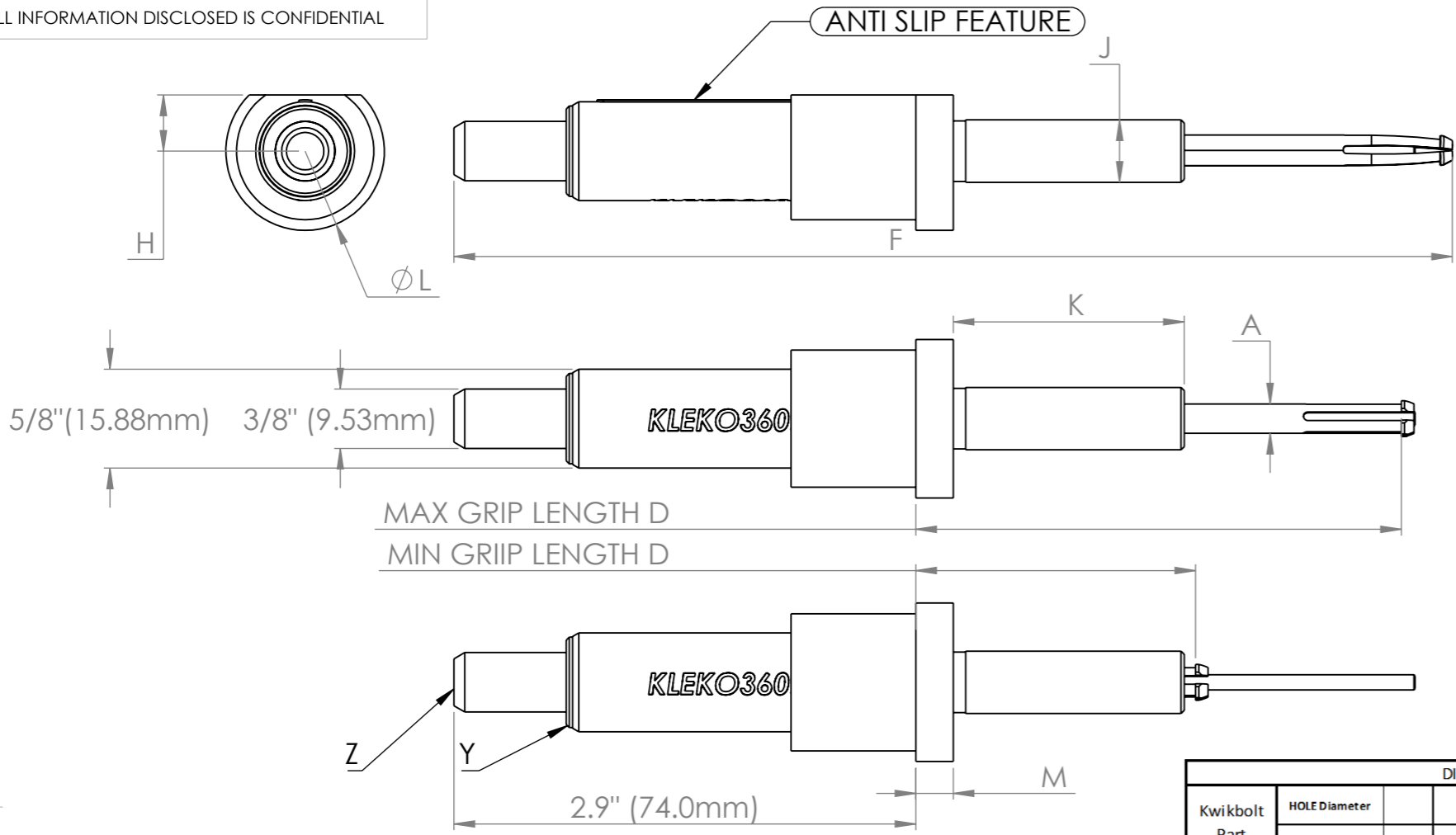


THIS INFORMATION AND DESIGN IS THE INTELLECTUAL PROPERTY OF KLEKO360  
ALL INFORMATION DISCLOSED IS CONFIDENTIAL

REVISIONS			
REV.	DESCRIPTION	DATE	APPROVED
01	READY FOR MANUFACTURE	14/09/2023	JN



GRIP RANGES AND HOLE DIAMETER ARE TO STANDARD BELOW:  
CUSTOMER TO DEFINE JIG DIAMETER AND DEPTH WITHIN PARAMETERS SHOWN:

**(K360-XXXXJ)-(XXXX)-(XXX-XXX)-TCB-YZ**

Kwikbolt Part	DIAMETER (A)										COLOUR
	HOLE Diameter		Max Ø HOLE		Max Diameter		Min Diameter		Y		
	Nominal	Inch	mm	Inch	mm	Inch	mm	Inch		mm	
K360-0432J	0432	1/8	0.125	3.18	0.126	3.20	0.122	3.10	0.113	2.86	YELLOW
K360-0532J	0532	5/32	0.156	3.97	0.157	4.00	0.153	3.89	0.144	3.65	PINK
K360-0632J	0632	3/16	0.188	4.76	0.189	4.80	0.185	4.69	0.175	4.45	BLUE
K360-0732J	0732	7/32	0.219	5.56	0.220	5.60	0.216	5.48	0.204	5.19	GREY
K360-0832J	0832	1/4	0.250	6.35	0.268	6.80	0.247	6.27	0.236	5.98	GREEN
K360-0932J	0932	2/7	0.281	7.14	0.299	7.59	0.278	7.06	0.267	6.78	PURPLE
K360-1032J	1032	5/16	0.313	7.94	0.331	8.40	0.310	7.86	0.298	7.57	WHITE
K360-1232J	1232	3/8	0.375	9.53	0.394	10.00	0.372	9.45	0.361	9.16	ORANGE

GRIP RANGE (D)				MAX LENGTH (F)		GRIP RANGE COLOUR
Min		Max		LENGTH (F)		Z
Inch	mm	Inch	mm	Inch	mm	
0.000	000	1.000	026	4.500	114.30	SILVER
0.500	012	1.500	038	5.000	127.00	YELLOW
1.000	025	2.000	051	5.500	139.70	RED
1.500	038	2.500	064	6.000	152.40	BLUE
2.000	051	3.000	076	6.500	165.10	GREEN
2.500	064	3.500	089	7.000	177.80	BLACK
3.500	089	4.500	114	7.500	190.50	ORANGE

- NOTES:
1. ALL DIMENSIONS ARE FOR REFERENCE ONLY
  2. BODY GLASSFIBRE REINFORCED NYLON
  3. THREAD HEAT TREATED EN24 TO Y CONDITION
  4. JIG INTERFACE BLACKENED EN24
  4. CLAMPING LEGS HEAT TREATED M300
  5. DIP FINISHED IN BOELUBE 70104
  6. PATENT NO:  
EP2247862  
US8517650  
GB2455635

Dimensions	JIG DIAMETER AND DEPTH									
	H		J		K		L		M	
	TOLERANCE TO CUSTOMER SPECIFICATION ( H7/g6 ISO STANDARD)									
	Inch	mm	Inch	mm	Inch	mm	Inch	mm	Inch	mm
MIN	0.197	5.0	0.394	10	0.394	10	0.394	10.00	0.197	5.00
TO CUSTOMERS SPECIFICATION										
MAX	1.181	30.00	0.787	20	1.969	50	1.969	50.00		

EXAMPLES	
K360-0432J-1615-025-051-TCB-YR	0.125 Inch (3.175 mm) nominal diameter fastener, Jig Dia 0.629 inch (16mm), Jig Depth 0.590 inch (15mm), Grip Range 1 inch (25.4mm) to 2 inch (50.8mm), Cylindrical Body, Yellow, Red
K360-1232J-1450-012-038-TCB-OK	0.375 inch (9.52 mm) nominal diameter fastener, Jig Dia 0.551 inch (14mm), Jig Depth 1.968 Inch (50mm), Grip Range 0.5 inch (12.7mm) to 1.5 inch (38.1mm), Cylindrical Body, Orange, Yellow
K360-0832J-1237-051-076-TCB-GG	0.250 inch (6.35 mm) nominal diameter fastener, Jig Dia 0.472 inch (12mm), Jig Depth 1.456 Inch (37mm), Grip Range 2 inch (50.8mm) to 3 inch (76.2mm), Cylindrical Body, Green, Green

