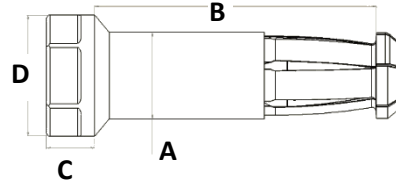
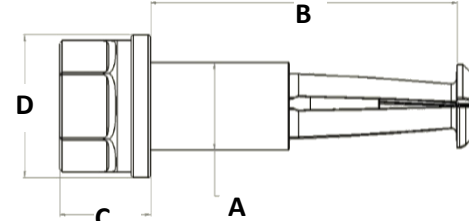


SF



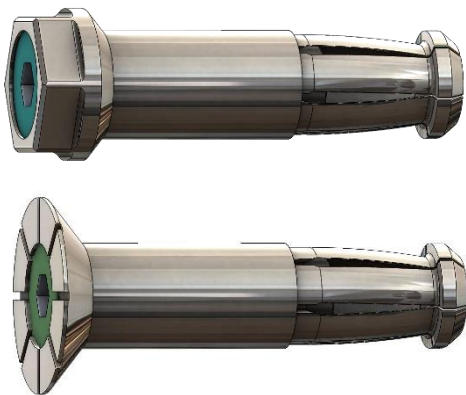
SP



FP

Part Code	A nominal mm (inch)	B mm (inches)	C mm(inch)	D1 min mm(inch)	Grip Range mm (inch) in 10mm (0.393) steps	Clamping Force Range N (lbf)	No of Cycles
1032-H2	7.94 (0.313)	Varies depending on grip range requested by customer	15.00 (0.590) to 19.00 (0.748)	15.00 (0.590)	1mm (0.039) to 150mm (5.905)	2,000 (450) - 4,000 (900)	500
1232-H2	9.53 (0.375)			19.00 (0.748)	1mm (0.039) to 150mm (5.905)	3,000 (675) - 6,000 (1,350)	500
1432-H2	11.15 (0.438)			22.00 (0.866)	1mm (0.039) to 150mm (5.905)	4,000 (900) - 8,000 (1,800)	500
1632-H2	12.70 (0.500)			24.00 (0.945)	1mm (0.039) to 150mm (5.905)	5,000 (1,125) - 10,000 (2,250)	500
1832-H2	14.24 (0.563)			27.00 (1.063)	1mm (0.039) to 150mm (5.905)	5,000 (1,125) - 10,000 (2,250)	500
2032-H2	15.90 (0.625)			30.00 (1.181)	1mm (0.039) to 150mm (5.905)	7,000 (1,600) - 14,000 (3,200)	500
2432-H2	19.05 (0.750)			38.00 (1.496)	1mm (0.039) to 150mm (5.905)	9,000 (2,025) - 18,000 (4,050)	500
3232-H2	25.40 (1.000)			48.00 (1.889)	1mm (0.039) to 150mm (5.905)	12,000 (2,700) - 24,000 (5,400)	500

Head Types | FP = Flat Protruding | SP = Countersunk Protruding | SF = Countersunk Flush      Grip Length Increments | 10mm

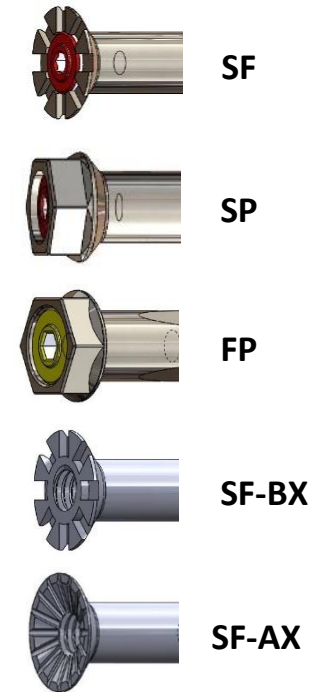
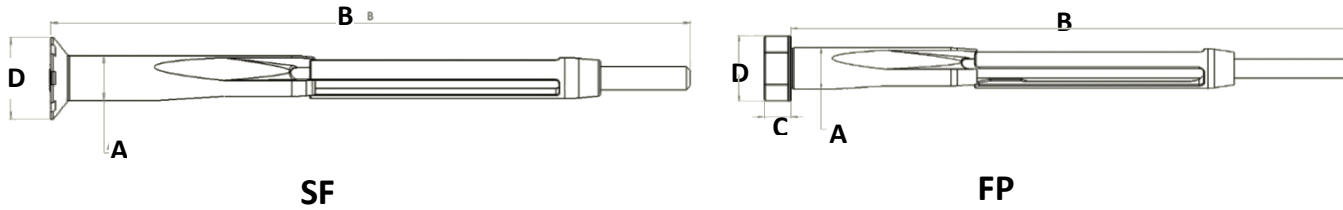


**XX-1232A-XXX-XXX-DXH2**

- Basic Part Number
- Grip Range
- Nominal Hole Diameter
- Head Configuration: SF -Countersunk Flush  
SP -Countersunk Protruding  
FP -Flat Protruding

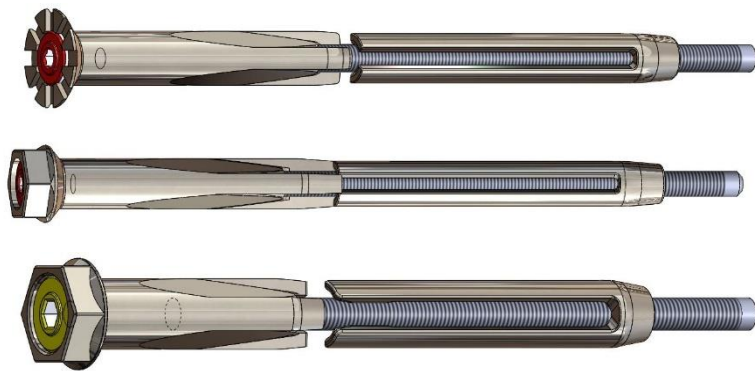
Colour coding to customer specifications. Other loads, tolerances and diameters available to customer requirements

E-Mail: info@kwikbolt.com      Web: www.kwikbolt.com      Phone: +44 (0) 23 8220 5775



Part Code	A nominal mm (inch)	B mm (inch)	C mm (inch)	D min mm (inch)	Grip Range mm (inch) in 15mm (0.590) steps	Clamping Force Range N (lbf)	No of Cycles
0532-L4	3.96 (0.156)	Varies depending on grip range requested by customer.	3.50 (0.137) to 4.50 (0.177)	7.00 (0.275)	1mm (0.039) to 150mm (5.905)	890 (200) - 1,780 (400)	500
0632-L4	4.76 (0.188)			9.00 (0.354)	1mm (0.039) to 150mm (5.905)	1,112 (250) - 2,224 (500)	500
0832-L4	6.35 (0.250)			12.00 (0.472)	1mm (0.039) to 150mm (5.905)	1,334 (300) - 2,669 (600)	500
1032-L4	7.94 (0.313)			15.00 (0.590)	1mm (0.039) to 150mm (5.905)	1,779 (400) - 3,558 (800)	500
1232-L4	9.53 (0.375)			19.00 (0.748)	1mm (0.039) to 150mm (5.905)	1,779 (400) - 3,558 (800)	500
1432-L4	11.15 (0.438)			22.00 (0.866)	1mm (0.039) to 150mm (5.905)	1,779 (400) - 3,558 (800)	500
1632-L4	12.70 (0.500)			24.00 (0.945)	1mm (0.039) to 150mm (5.905)	1,779 (400) - 3,558 (800)	500
1832-L4	14.24 (0.563)			27.00 (1.063)	1mm (0.039) to 150mm (5.905)	2,224 (500) - 4,448 (1,000)	500
2032-L4	15.90 (0.625)			30.00 (1.181)	1mm (0.039) to 150mm (5.905)	2,224 (500) - 4,448 (1,000)	500
2432-L4	19.05 (0.750)			38.00 (1.496)	1mm (0.039) to 150mm (5.905)	2,669 (600) - 5,338 (1,200)	500
3232-L4	25.40 (1.000)			48.00 (1.889)	1mm (0.039) to 150mm (5.905)	2,669 (600) - 5,338 (1,200)	500

Head Types | FP = Flat Protruding | SP = Countersunk Protruding | SF = Countersunk Flush      Grip Length Increments | 15mm



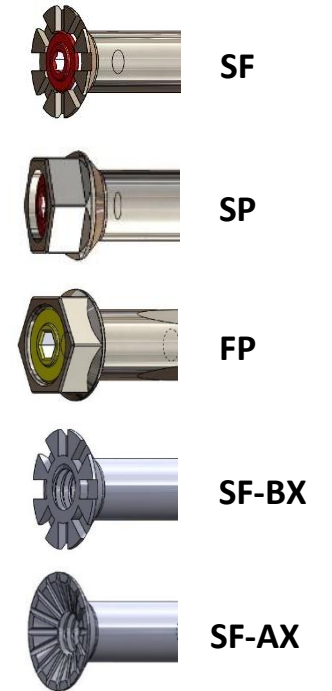
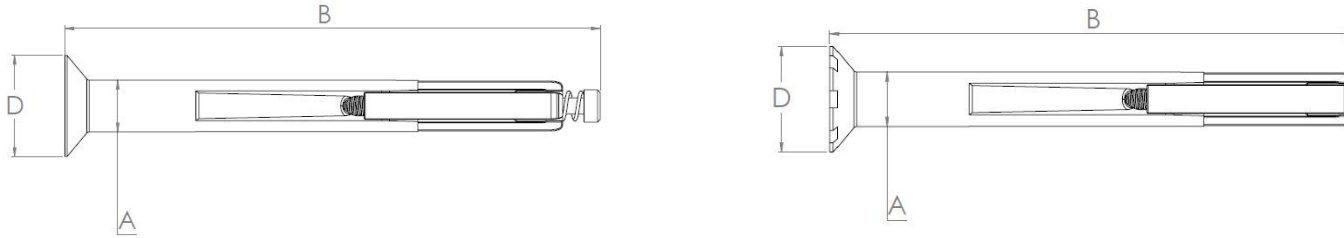
**XX-0632A-XXX-XXX-DXL4**

**Kwikbolt Part Numbering**

- Basic Part Number
- Grip Range
- Nominal Hole Diameter
- Head Configuration: SF-Countersunk Flush  
SP-Countersunk Protruding  
FP-Flat Protruding

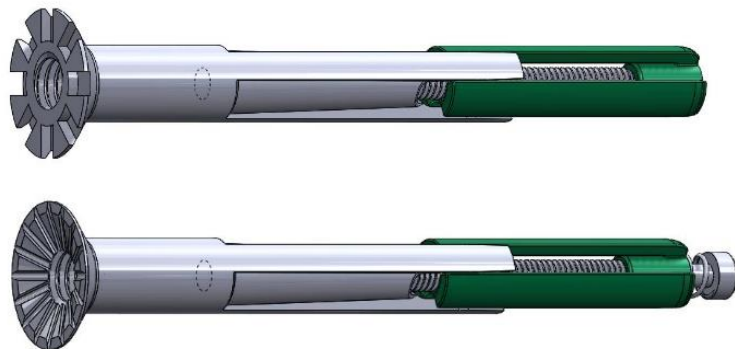
Colour coding to customer specifications. Other loads, tolerances and diameters available to customer requirements

E-Mail: [info@kwikbolt.com](mailto:info@kwikbolt.com)    Web: [www.kwikbolt.com](http://www.kwikbolt.com)    Phone: +44 (0) 23 8220 5775



Part Code	A nominal mm (inch)	B mm (inch)	C mm (inch)	D min mm (inch)	Grip Range mm (inch) in 6 mm (0.236) steps	Clamping Force Range N (lbf)	No of Cycles
0532-L6	3.96 (0.156)	Varies depending on grip range requested by customer.	3.50 (0.137) to 4.50 (0.177)	7.00 (0.275)	1mm (0.039) to 150mm (5.905)	890 (200) - 2,669 (600)	500
0632-L6	4.76 (0.188)			9.00 (0.354)	1mm (0.039) to 150mm (5.905)	1,112 (250) - 3,336 (750)	500
0832-L6	6.35 (0.250)			12.00 (0.472)	1mm (0.039) to 150mm (5.905)	1,334 (300) - 4,000 (900)	500
1032-L6	7.94 (0.313)			15.00 (0.590)	1mm (0.039) to 150mm (5.905)	1,779 (400) - 5,338 (1,200)	500
1232-L6	9.53 (0.375)			19.00 (0.748)	1mm (0.039) to 150mm (5.905)	1,779 (400) - 5,338 (1,200)	500
1432-L6	11.15 (0.438)			22.00 (0.866)	1mm (0.039) to 150mm (5.905)	1,779 (400) - 5,338 (1,200)	500
1632-L6	12.70 (0.500)			24.00 (0.945)	1mm (0.039) to 150mm (5.905)	1,779 (400) - 5,338 (1,200)	500
1832-L6	14.24 (0.563)			27.00 (1.063)	1mm (0.039) to 150mm (5.905)	2,224 (500) - 6,672 (1,500)	500
2032-L6	15.90 (0.625)			30.00 (1.181)	1mm (0.039) to 150mm (5.905)	2,224 (500) - 6,672 (1,500)	500
2432-L6	19.05 (0.750)			38.00 (1.496)	1mm (0.039) to 150mm (5.905)	2,669 (600) - 8,000 (1,800)	500
3232-L6	25.40 (1.000)			48.00 (1.889)	1mm (0.039) to 150mm (5.905)	2,669 (600) - 8,000 (1,800)	500

Head Types | FP = Flat Protruding | SP = Countersunk Protruding | SF = Countersunk Flush | Grip Length Increments | 6mm



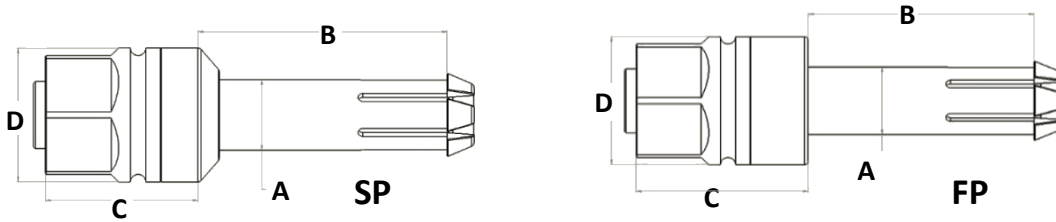
**XX-0632A-XXX-XXX-AXL6**

**Kwikbolt Part Numbering**

- Basic Part Number
- Grip Range
- Nominal Hole Diameter
- Head Configuration: SF-Countersunk Flush  
SP-Countersunk Protruding  
FP-Flat Protruding

Colour coding to customer specifications. Other loads, tolerances and diameters available to customer requirements

E-Mail: info@kwikbolt.com | Web: www.kwikbolt.com | Phone: +44 (0) 23 8220 5775



Part Code	A nominal mm (inch)	B mm (inch)	C mm (inch)	D min mm (inch)	Grip Range mm (inch) in 1-150mm (0.039 – 5.90)	Clamping Force Range N (lbf)	No of Cycles
0332-T2	2.20 (0.086)	Varies depending on grip range requested by customer.	Varies depending on grip range requested by customer.	7.00 (0.275)	1mm (0.039) to 150mm (5.905)	1,112(250) - 2,224 (500)	500
0432-T2	3.26 (0.128)			7.00 (0.275)	1mm (0.039) to 150mm (5.905)	1,779(400) - 3,558 (800)	500
0532-T2	3.96 (0.156)			7.00 (0.275)	1mm (0.039) to 150mm (5.905)	2,224(500) - 4,448 (1,000)	500
0632-T2	4.76 (0.188)			9.00 (0.354)	1mm (0.039) to 150mm (5.905)	2,670 (600) - 5,340 (1,200)	500
0832-T2	6.35 (0.250)			12.00 (0.472)	1mm (0.039) to 150mm (5.905)	2,670 (600) - 5,340 (1,200)	500
1032-T2	7.94 (0.313)			15.00 (0.590)	1mm (0.039) to 150mm (5.905)	4,000 (900) - 8,000 (1,800)	500
1232-T2	9.53 (0.375)			19.00 (0.748)	1mm (0.039) to 150mm (5.905)	4,000 (900) - 8,000 (1,800)	500
1432-T2	11.15 (0.438)			22.00 (0.866)	1mm (0.039) to 150mm (5.905)	5,250 (1,180) - 10,500 (2,360)	500
1632-T2	12.70 (0.500)			24.00 (0.945)	1mm (0.039) to 150mm (5.905)	5,250 (1,180) - 10,500 (2,360)	500
1832-L9	14.24 (0.563)			27.00 (1.063)	1mm (0.039) to 150mm (5.905)	6,250 (1,400) - 12,500 (2,800)	500
2032-L9	15.90 (0.625)			30.00 (1.181)	1mm (0.039) to 150mm (5.905)	7,250 (1,630) - 14,500 (3,260)	500
2432-L9	19.05 (0.750)			38.00 (1.496)	1mm (0.039) to 150mm (5.905)	7,250 (1,630) - 14,500 (3,260)	500
3232-L9	25.40 (1.000)			48.00 (1.889)	1mm (0.039) to 150mm (5.905)	8,000 (1,800) - 16,000 (3,600)	500

Head Types | FP = Flat Protruding | SP = Countersunk Protruding      Grip Length Increments | 1-150mm



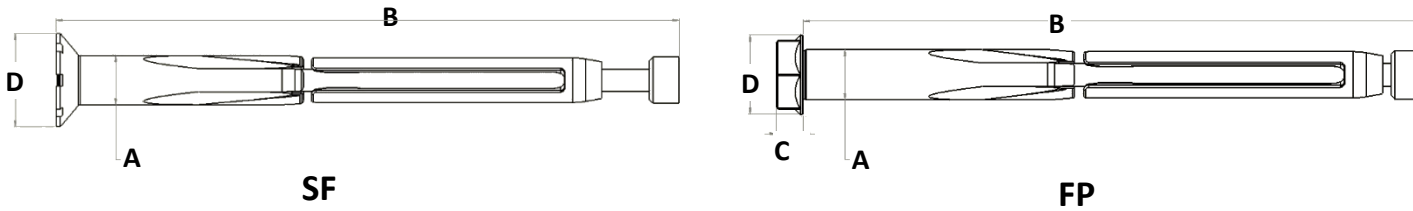
**XX-0632A-XXX-XXX-SXT1**

**Kwikbolt Part Numbering**

- Basic Part Number
- Grip Range
- Nominal Hole Diameter
- Head Configuration: SP –Countersunk Protruding  
FP –Flat Protruding

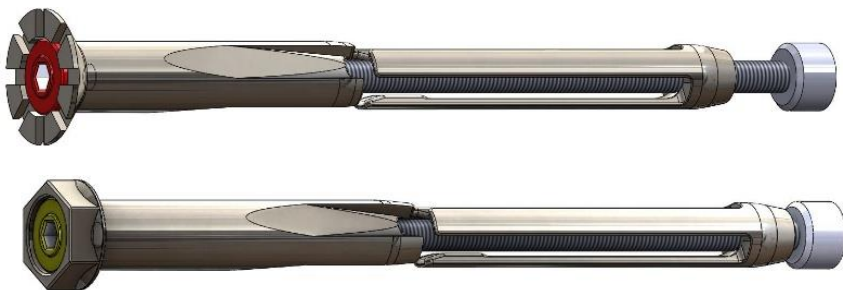
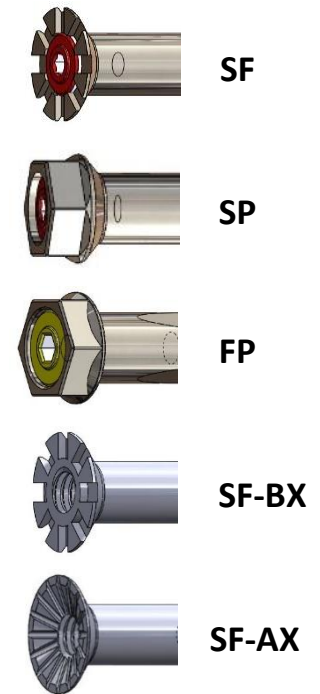
Colour coding to customer specifications. Other loads, tolerances and diameters available to customer requirements

E-Mail: [info@kwikbolt.com](mailto:info@kwikbolt.com)      Web: [www.kwikbolt.com](http://www.kwikbolt.com)      Phone: +44 (0) 23 8220 5775



Part Code	A nominal mm (inch)	B mm (inch)	C mm (inch)	D min mm (inch)	Grip Range mm (inch) in 15mm (0.590) steps	Clamping Force N (lbf)	No of Cycles
0532-S1	3.96 (0.156)	Varies depending on grip range requested by customer.	3.50 (0.137) to 4.50 (0.177)	7.00 (0.275)	1mm (0.039) to 150mm (5.905)	890 (200) - 1,780 (400)	500
0632-S1	4.76 (0.188)			9.00 (0.354)	1mm (0.039) to 150mm (5.905)	1,112 (250) - 2,224 (500)	500
0832-S1	6.35 (0.250)			12.00 (0.472)	1mm (0.039) to 150mm (5.905)	1,334 (300) - 2,669 (600)	500
1032-S1	7.94 (0.313)			15.00 (0.590)	1mm (0.039) to 150mm (5.905)	1,779 (400) - 3,558 (800)	500
1232-S1	9.53 (0.375)			19.00 (0.748)	1mm (0.039) to 150mm (5.905)	1,779 (400) - 3,558 (800)	500
1432-S1	11.15 (0.438)			22.00 (0.866)	1mm (0.039) to 150mm (5.905)	1,779 (400) - 3,558 (800)	500
1632-S1	12.70 (0.500)			24.00 (0.945)	1mm (0.039) to 150mm (5.905)	1,779 (400) - 3,558 (800)	500
1832-S1	14.24 (0.563)			27.00 (1.063)	1mm (0.039) to 150mm (5.905)	2,224 (500) - 4,448 (1,000)	500
2032-S1	15.90 (0.625)			30.00 (1.181)	1mm (0.039) to 150mm (5.905)	2,224 (500) - 4,448 (1,000)	500
2432-S1	19.05 (0.750)			38.00 (1.496)	1mm (0.039) to 150mm (5.905)	2,669 (600) - 5,338 (1,200)	500
3232-S1	25.40 (1.000)			48.00 (1.889)	1mm (0.039) to 150mm (5.905)	2,669 (600) - 5,338 (1,200)	500

Head Types | FP = Flat Protruding | SP = Countersunk Protruding | SF = Countersunk Flush      Grip Length Increments | 15mm



**XX-0632A-XXX-XXX-DXS1**

- Basic Part Number
- Grip Range
- Nominal Hole Diameter
- Head Configuration: SF -Countersunk Flush  
SP -Countersunk Protruding  
FP -Flat Protruding

Colour coding to customer specifications. Other loads, tolerances and diameters available to customer requirements

E-Mail: info@kwikbolt.com      Web: www.kwikbolt.com      Phone: +44 (0) 23 8220 5775